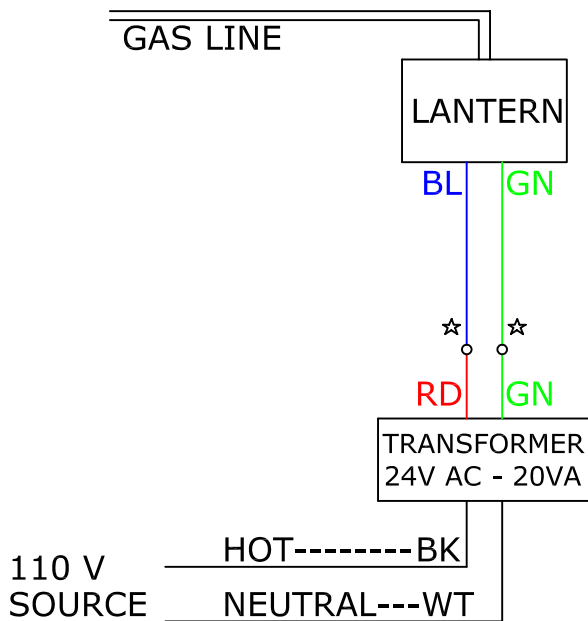


# SUGGESTED INSTALLATION DIAGRAM

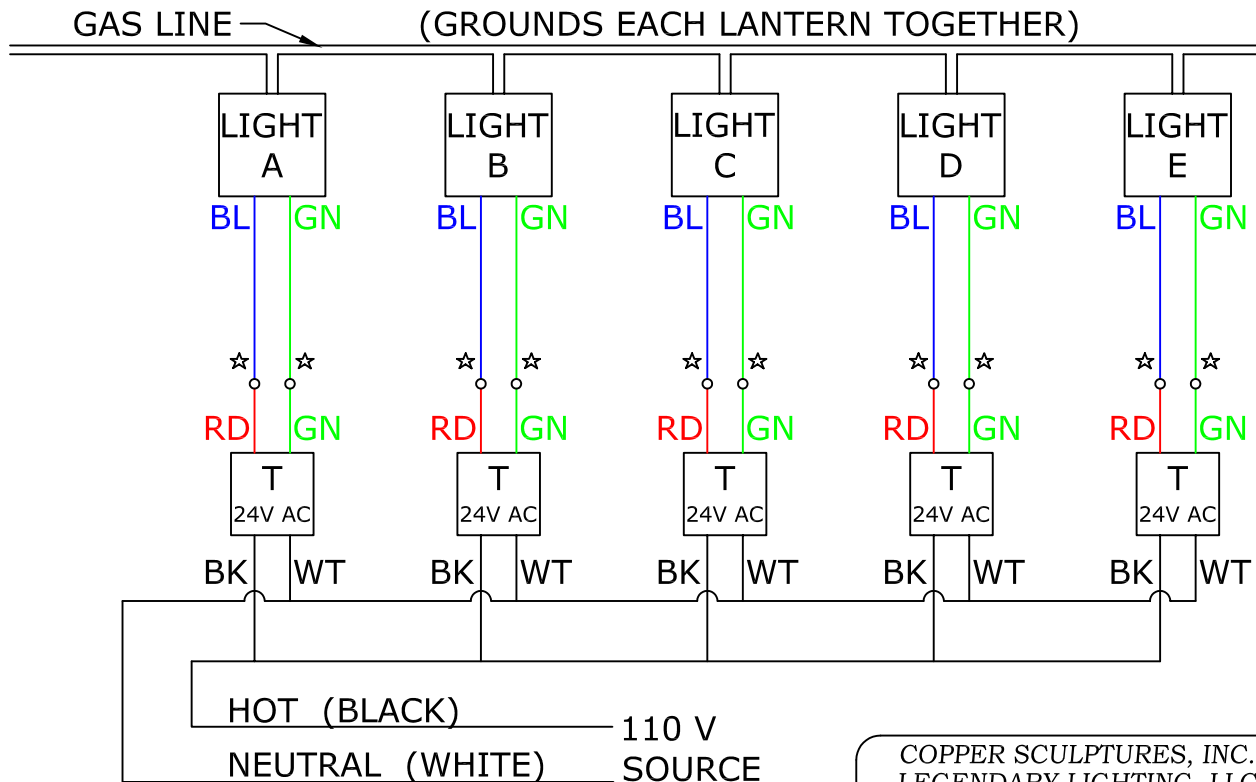
RECOMMENDED FOR ONE LANTERN/ONE 20VA TRANSFORMER



☆ WIRE GAUGE	MAXIMUM FOOTAGE
10	325
12	200
14	125
16	80
18	50

TRANSFORMER (24V AC CLASS II 20VA)

## \* INSTALLATION FOR MULTIPLE LANTERNS



COPPER SCULPTURES, INC.  
LEGENDARY LIGHTING, LLC

DWG. TITLE: INSTALLATION DIAGRAM FOR E.I./TRANSFORMER		
Drawn By: RVM	Drawn No.:	CONST/E.I.-TRANS_INSTALL DIAGRAM
Date: 2-25-09	SCALE: FULL	CUST. NAME: REFERENCE

THIS DRAWING TAKES PRECEDENCE OVER ALL PRIOR REVISIONS